



TURIA L TRACK

EMERGENCY LIGHTING FOR ESCAPE ROUTE ILLUMINATION
ON 3-CIRCUIT TRACKS



Erdbeeren
3.99

TURIA L TRACK

Emergency lighting for escape route illumination on 3-circuit tracks

Integration at its best

Whether in shops or exhibition areas - wherever basic lighting is provided by track spotlights, TURIA L TRACK can also cover emergency lighting in no time at all.

The emergency luminaires for escape route lighting on 3-circuit track systems are quick and easy to install. And: Without suitable tools, neither the locking mechanism nor the phase selector switch can be reached, so that the normatively required immovability is guaranteed at all times.

But the Sturkopf can also be quite flexible: thanks to tool-free interchangeable lenses for escape route and area lighting, the luminaire can be perfectly adapted to different lighting requirements. In addition, the lens can be rotated by 90° for escape route lighting.

Architecture

- ⊕ **Clever:** Emergency luminaire suitable for 3-circuit track systems of all known manufacturers or for RZB 3-phase DALI track systems.
- ⊕ **Versatile:** Automatic self-test or suitable for RZB DALI monitoring systems.
- ⊕ **Sustainable:** Environmentally friendly and resource-saving due to replaceable components.

Lighting design

- ⊕ **Powerful:** Exceptionally large luminaire spacing for escape route and area lighting.
- ⊕ **Reliable planning:** Lenses for escape route illumination, 90° swivel range.
- ⊕ **Integrated:** Status LED visible through lens of operation LED.
- ⊕ **Safe:** 3 hours emergency light in standby mode.

Installation

- ⊕ **Easy installation:** Quick and easy to install.
- ⊕ **Complies with regulations:** The fixed nature of emergency luminaires required by standards is ensured by inaccessibility of the locking device and the phase selection switch without tools.
- ⊕ **Optimum:** With an additional adapter, escape route identification with the RZB GSUN S or GSUN D luminaire series can also be integrated into the track.



TURIA L TRACK

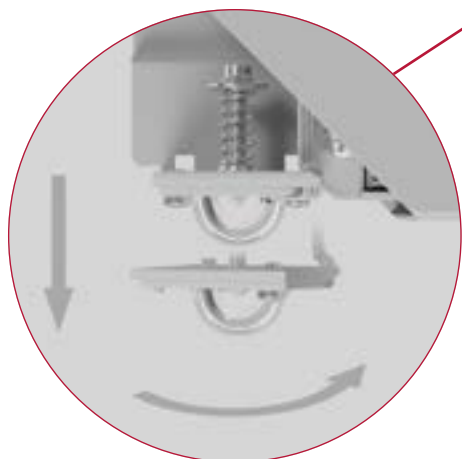
Everything at a glance

Emergency luminaire suitable for 3-circuit track systems of all known manufacturers or for RZB 3-phase DALI track systems.



Locking device

Status LED visible through lens of operation LED.



The luminaire can be optimally adapted to different lighting requirements through the use of tool-free interchangeable lenses for escape route or area lighting. In addition, the lens can be rotated by 90° for escape route lighting. By positioning in the track, the luminaire can be adapted to changed room concepts at any time.



Environmentally friendly and resource-saving due to replaceable components.

Track adapters for luminaires for escape route marking.



Housing: sheet steel, powder-coated.

Locking of the phase selection circuit with the cover in place prevents unauthorised alteration of the monitored phase without the monitored phase without tools.



TURIA L TRACK

Product overview



Surface mounted projectors | TURIA L track

Type of protection: IP 20
 Protection class: I
 Impact protection: IK03

For escape route illumination

Housing: sheet steel, powder-coated. High-efficiency LED units with optimum light control thanks to clear plastic (PC) lens optics. With multi-adapter for 3-circuit tracks or with adapter for RZB 3-circuit DALI tracks.

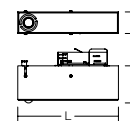
Available colours (X): 2 = white, 3 = black, 4 = silver metallic

Self-contained emergency luminaires

Voltage type: AC

Automatic self test in all standard versions.

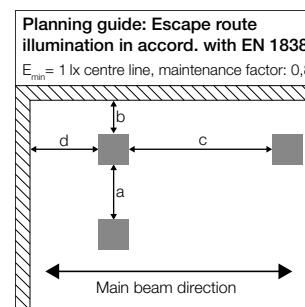
Operating mode: Non-maintained power mode (BS).



Reference number	Dimensions [mm]	Luminaire flux Mains/Emergency [lm]	Battery	[h]	Monitoring	Price Category 23
Self-contained emergency luminaires with lens, for area lighting						
672513.00X	L 211, B 47, H 63	180	LiFePO4	3	Autotest	
672513.00X.07	L 211, B 47, H 75	180	LiFePO4	3	DALI-Sibe	
Self-contained emergency luminaires with lens, for escape route illumination						
672515.00X	L 211, B 47, H 63	170	LiFePO4	3	Autotest	
672515.00X.07	L 211, B 47, H 75	170	LiFePO4	3	DALI-Sibe	

672513.00X					
Luminous flux emergency: 180 lm					
Following values are indicated in m					
h	a	b	c	d	
2,5	11,6	4,4	11,6	4,4	
3,0	11,1	2,1	11,1	2,1	
3,5	9,8	1,0	9,8	1,0	
4,0	8,6	0,6	8,6	0,6	

672515.00X					
Luminous flux emergency: 170 lm					
Following values are indicated in m					
h	a	b	c	d	
2,5	17,5	7,1	5,9	2,0	
3,0	19,1	7,2	5,9	1,9	
3,5	20,1	6,1	5,7	1,8	
4,0	19,9	4,9	5,6	1,6	





Efficient escape route marking: time saving with track adapters

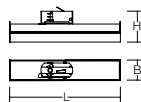
The addition of track adapters for luminaires for escape route marking to our product range is a useful addition to our comprehensive portfolio. This adapter makes it possible to use our well-known GSUN® S and GSUN® D luminaire series easily and efficiently in an existing track.

Accessories | Track adapter for escape sign luminaires

Type of protection: IP 20
Protection class: I

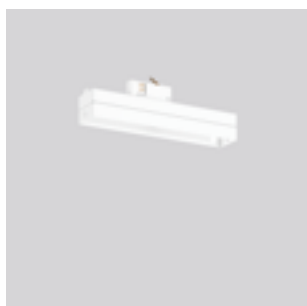
Track adapter for operating luminaires of the GSUN® S or GSUN® D series. With multi-adapter for 3-circuit tracks or with adapter for RZB 3-circuit DALI tracks. Conductor rail adapter made of plastic. Bracket made of powder-coated metal.

Available colours (X): 2 = white, 3 = black, 4 = silver metallic



Reference number	Dimensions [mm]		Price Category 23
Track adapter			
982872.00X	L 243, B 45, H 67	3-circuit track adapter for GSUN S/D.	
982872.00X.07	L 243, B 45, H 84	3-circuit DALI track adapter for GSUN S/D.	

Example: 3-circuit track adapter for GSUN® S and GSUN® D



982872.002



652217.002 with 982872.002



652219.002 with 982872.002

Example: 3-circuit DALI track adapter for GSUN® S and GSUN® D



982872.002.07



652217.002.07 with 982872.002.07



652219.002.07 with 982872.002.07



PSY



chirurgie ab 1900

Emergency lighting according to EN1838

Illumination of escape route

Mounting height of luminaires:

at least 2m

Illuminance centre line escape route:

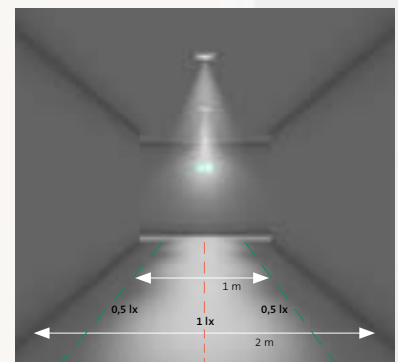
at least 1 lx

Illuminance middle range:

at least 0,5 lx

Lowest possible physiological glare by the luminaires.

The illuminance values are maintenance values that must not be fallen short of at any time.



Uniformity of escape route

If the escape route is wider than 2 m, it can be divided into divided into 2 m wide strips or equipped with anti-panic equipped with anti-panic lighting.

Uneven centre line escape route

E_{min} to E_{max} : at least 1:40

If the lowest illuminance is greater than 1 lx, then the maximum illuminance may be greater in proportion.

The choice of luminaire spacing and a suitable luminous intensity distribution curve is crucial here. However, the greatest luminaire spacing should not simply be optimised, because the greater the spacing, the greater the deterioration in visual conditions caused by a fleeing person's own shadows.





TURIA L TRACK

Discover the possibilities...

FURTHER LUMINAIRES, MATCHING THIS SERIES:



⊕ BEAMLINE SLIM



⊕ TX-MOVE



⊕ ARLINE



⊕ CALIDO CLICKBEAM



⊕ GSUN S with adapter



⊕ GSUN D with adapter

HIGHEST PRODUCT AND CONSULTING QUALITY

⊕ RELIABILITY

We are your reliable partner. From the first idea to the implementation and far beyond, we accompany your project. Personal, passionate and individual. Thanks to our excellent expertise, top product quality and services such as light planning, economic efficiency analysis and commissioning, we meet the high demands of all parties involved in the planning process.

- ✓ availability of BIM files
- ✓ easy and quick installation
- ✓ quality and long warranty

⊕ WARRANTY

The creation of high quality lighting solutions is our passion. Our products are developed and manufactured with the utmost care.

In addition to SMART TECHNOLOGY and EXCELLENT DESIGN, we are dedicated to manufacture luminaires of highest quality throughout the entire value chain through to After Sales Service.

Because of this, we confidently grant you a 5 years warranty on LED luminaires and 2 years warranty on emergency luminaires with effect of the date of invoice without prior registration of your project.

Warranty terms to be found under

[rzb.de/en/service/led-luminaire-warranty](https://www.rzb.de/en/service/led-luminaire-warranty)

RZB - FOR A TANGIBLE ADDED VALUE.



RZB
Rudolf Zimmermann,
Bamberg GmbH

Rheinstr. 16
96052 Bamberg
Germany

Phone +49 951 79 09-374

www.rzb-lighting.com
export@rzb.eu

