

INSTRUCTION

RZB Energy

811122



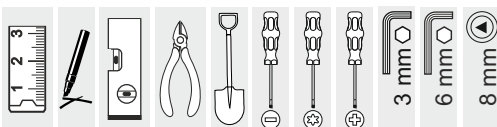
230 V / 400 V 50 Hz



Stelen

Poller

| | | Stelen | | Poller | |
|--------------|-----------------|--------|--------|-----------|-----------|
| | | Lupalo | Bocaro | Lupalo | Bocaro |
| Quer-schnitt | Gross-section | | | | |
| Höhe | Height | 5000 | 5000 | 1150/1400 | 1150/1570 |
| Lade-punkte | Charging-pointa | 1/2 | 1/2 | 1/2 | 1/2 |
| Dose/Kabel | Can/Cable | | | | |
| Licht | Light | | | | |





Allgemeine Sicherheitshinweise

- Der elektrische Anschluss muss ordnungsgemäß nach geltenden Normen und den nationalen sowie internationalen Sicherheits- und Unfallverhütungsvorschriften erfolgen.
- Beschädigte Ladestationen dürfen nicht betrieben werden.
- Keine Haftung für Schäden durch unsachgemäßen Einsatz.
- Bei Instandsetzung nur Originalteile verwenden.

Manipulationen unserer Produkte sind unzulässig

Veränderung, Umarbeitung, Umkennzeichnung von Produkten sowie deren Verpackung sind unzulässig und verletzen u.a. unsere eingetragenen Warenzeichenrechte. Solche Modifikationen können technische Eigenschaften unserer Produkte negativ beeinflussen, diese zerstören und möglicherweise Folgeschäden an anderen Objekten verursachen. Für durch derartige Modifikationen verursachte Schäden kann der Hersteller in keinem Fall verantwortlich gemacht werden.



General Safety Information

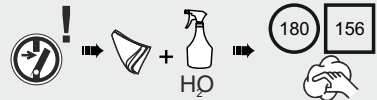
- Electric connection must be appropriate according to all applicable standards and other national and international safety and accident prevention regulations.
- Damaged charging stations must not be operated.
- No liability is accepted for damages resulting from improper use.
- Use genuine parts only for repair.

Manipulation of our products is not permitted

Modifications, reworking, re-labelling of products as well as their package is not permitted and infringes, amongst others, our registered trademark rights. Such modifications may affect technical properties of our products, damage them and possibly cause consequential damage to other objects. The manufacturer shall not be responsible under any circumstances for damage caused by such modifications.



DIN EN IEC 61340-5-1



Bei Fragen zu unseren Symbolen, Begriffen besuchen Sie folgende Webseite:

For questions about our symbols, terms visit the following website:



https://www.rzb.de/fileadmin/assets/downloads/PDF/RZB_Symbolklaerung.pdf



Table 1-3: RC7620 and RC7620-1 Supported Bands/Connectivity

| Technology | RF Band | Transmit Band (Tx) (MHz) | Receive Band (Rx) (MHz) | Notes |
|-------------------|-----------|--------------------------|-------------------------|---------------------------------|
| LTE | B1 | 1920–1980 | 2110–2170 | MIMO ^a and diversity |
| | B3 | 1710–1785 | 1805–1880 | |
| | B7 | 2500–2570 | 2620–2690 | |
| | B8 | 880–915 | 925–960 | |
| | B20 | 832–862 | 791–821 | |
| | B28 | 703–748 | 758–803 | |
| UMTS | B1 | 1920 – 1980 | 2110–2170 | Diversity |
| | B8 | 880–915 | 925–960 | |
| GSM/GPRS/EDGE | E-GSM 900 | 880–915 | 925–960 | |
| | DCS 1800 | 1710–1785 | 1805–1880 | |
| GNSS ^b | GPS | | 1575.42 ± 1.023 | |
| | GLONASS | | 1597–1606 | |
| | Galileo | | 1575.42 ± 2.046 | |
| | BeiDou | | 1561.098 ± 2.046 | |

- a. Downlink MIMO 2x2
b. GNSS support is SKU-dependent.

Table 3-19: Conducted Tx Max Output Power Tolerances—GSM / GPRS / EDGE^a

| RF Band | Min | Typ | Max | Units | Notes |
|-----------|------|-----|------|-------|-------------------------------------|
| E-GSM 900 | 31 | 33 | 34 | dBm | GMSK mode (Class 4; 2 W, 33 dBm) |
| | 24.5 | 27 | 29.5 | dBm | 8PSK mode (Class E2; 0.5 W, 27 dBm) |
| DCS 1800 | 28 | 30 | 31 | dBm | GMSK (Class 1; 1W, 30 dBm) |
| | 23.5 | 26 | 28.5 | dBm | 8PSK (Class E2; 0.4W, 26 dBm) |

- a. Stated power tolerance satisfy 3GPP TS 51.010-1 requirements for normal (25°C) conditions.

Table 3-14: RC7620 Conducted Tx Max Output Power Tolerances—LTE^a

| RF Band | Operating Condition | Min | Typ | Max | Units | Notes |
|---------|---------------------|-----|-----|-----|-------|---------------|
| B1 | Normal (25°C) | 21 | 23 | 24 | dBm | Power class 3 |
| B3 | Normal (25°C) | 21 | 23 | 24 | dBm | Power class 3 |
| B7 | Normal (25°C) | 21 | 23 | 24 | dBm | Power class 3 |
| B8 | Normal (25°C) | 21 | 23 | 24 | dBm | Power class 3 |
| B20 | Normal (25°C) | 21 | 23 | 24 | dBm | Power class 3 |
| B28 | Normal (25°C) | 21 | 23 | 24 | dBm | Power class 3 |

- a. Stated typical power tolerance satisfies 3GPP TS 36.521-1 requirements for normal (25°C).



EU Declaration of Conformity

Address: ELATEC GmbH
Zeppelinstr. 1
82178 Puchheim, Germany

Product: RFID reader/writer module
Model: TWN4 Palon Compact M

The product complies with the requirements of the following European directives:

2014/53/EU Radio Equipment Directive (RED)

2011/65/EU Restriction of the use of certain hazardous substances in
2015/863/EU electrical and electronic equipment (RoHS III)

The compliance with the requirements of the European Directive was proved by the application of the following harmonized standards:

RED: EN 300 328 V2.2.2
EN 300 330 V2.1.1
EN 301 489-1 V1.9.2
EN 62368-1:2014 + AC:2015-05 + AC:2015-11
EN 50364: 2010
EN 62479: 2010
EN 55032:2015

RoHS III: EN IEC 63000:2018

Additional covered standards or standard versions:

EN 301 489-1 V2.1.1
EN 301 489-3 V2.1.1
EN 301 489-17 V3.1.1
EN 62369-1:2009
EN 50499: 2008

The object of the declaration described above is in conformity with Directive 2011/65/EU of the European Parliament and of the Council of 8 June 2011 on the restriction of the use of certain hazardous substances in electrical and electronic equipment.

Puchheim, October 4, 2021

Ralf Janitz

Quality Manager & Regulatory Affairs



ELATEC GmbH • Zeppelinstr. 1 • 82178 Puchheim • Germany
Phone: +49 89 550 289 0 Fax: +49 89 550 289 1 129
www.elatec-rfid.com

ELATEC
RFID Systems



EU Uygunluk Beyanı

Adres: ELATEC GmbH
Zeppelinstr. 1
82178 Puchheim, Almanya

Ürün: RFID okuyucu/yazıcı modülü
Model: **TWN4 Palon Compact M**

Ürün, aşağıda sıralanan Avrupa yönergelerindeki gereklilikleri karşılamaktadır:

| | |
|---------------------------|---|
| 2014/53/EU | Telsiz Ekipmanları Yönergesi (TEY) |
| 2011/65/EU 2015/863/EU | Elektrikli ve elektronik ekipmanlarda belirli tehlikeli maddelerin kullanımının kısıtlanması (RoHS III) |

Avrupa Yönergelerindeki gerekliliklere uygunluk, aşağıda sıralanan uyumlandırılmış standartların uygulanması yoluyla kanıtlanmıştır:

TEY: EN 300 328 V2.2.2
EN 300 330 V2.1.1
EN 301 489-1 V1.9.2
EN 62368-1:2014 + AC:2015-05 + AC:2015-11
EN 50364: 2010
EN 62479: 2010
EN 55032:2015

RoHS III: EN IEC 63000:2018

Ek olarak kapsanan standartlar:

EN 301 489-1 V2.1.1
EN 301 489-3 V2.1.1
EN 301 489-17 V3.1.1
EN 62369-1:2009
EN 50499: 2008

Yukarıda açıklanan beyana konu ürün, Avrupa Parlamentosu ve Konseyinin, elektrikli ve elektronik ekipmanlarda belirli tehlikeli maddelerin kullanımının kısıtlanmasına ilişkin 8 Haziran 2011 tarih ve 2011/65/EU sayılı yönergesiyle uyumludur.

Puchheim, 4 Ekim 2021

Ralf Janitz

Kalite Müdürlüğü & Ruhsat İşleri

ELATEC
RFID Systems
Ekipmanlar & Ruhsat İşleri

Zeppelinstr. 1 • 82178 Puchheim • Germany
Tel: +49 89 55299611 • Fax: +49 89 5529961137
info-rid@elatec.com • www.elatec-rid.com

This is a translation of the original document in English. In case of doubts, the original document in English will prevail.
İngilizce orijinal belgenin çevirisidir. Şüpheli durumlarda, İngilizce orijinal belge geçerli olacaktır.



EU-Konformitätserklärung Nr. 1138965.CE.00
EU-Declaration of Conformity No. 1138965.CE.00

Hersteller / Manufacturer: PHOENIX CONTACT GmbH & Co. KG
Anschrift / Address: Fleischmarktstraße 8, 32825 Blomberg, Germany

Bestell-/ Typenschlüssel / Ordering code: **CHARX SEC-Cx**
(Artikel-Nr. / Article-Part number) **1138965**

Der obige Hersteller erklärt in alleiniger Verantwortung, dass das/die hier bezeichnete(n) Produkt(e) mit den wesentlichen Anforderungen der nachfolgend genannten Richtlinie(n) und deren Änderungsrichtlinien übereinstimmt / The above manufacturer declares in sole responsibility, that the here specified product(s) is/are in line with the essential requirements of the following directive(s) and their delegated directive(s):

| | |
|------------|---|
| 2011/85/EU | Beschränkung der Verwendung bestimmter gefährlicher Stoffe Restriction of the use of certain hazardous substances (RoHS) |
| 2014/30/EU | EMV-Richtlinie (Elektromagnetische Verträglichkeit) Electromagnetic Compatibility Directive (EMC) |
| 2014/53/EU | Funkanlagen Radio equipment (RED) |

Für die Beurteilung der Übereinstimmung wurden folgende einschlägige Normen herangezogen:
For evaluation of the conformity following relevant standards were consulted:

| | | |
|---------------------------|------------------------------------|-----------------------|
| EN 61000-6-2:2005+AC:2005 | EN 61000-6-3:2007+A1:2011+ AC:2012 | EN 301 489-1 V2.2.3 |
| EN 301 489-52 V1 1.2 | EN 301 908-1 V7.1.1 | EN 301 908-13 V13.1.1 |
| EN 301 511 V12.5.1 | EN IEC 63000:2016 | |

Ergänzende Informationen (z. B. Anmerkungen, Einschränkungen, etc.) zur Konformitätsbewertung:
Supplementary information (eg comments, restrictions, etc.) on conformity assessment:

Zertifikate einer benannten Stelle / Certificates by a notified body:

Anschrift / Address: _____

Referenz / Reference: _____

Anschrift / Address: _____

Referenz / Reference: _____

Diese Erklärung gilt auch für die im Anhang aufgelisteten Varianten des Bestell-/ Typenschlüssels.
This declaration also applies for all variants of the ordering code listed in the annex.

Diese Erklärung bescheinigt die Übereinstimmung mit den wesentlichen Anforderungen der genannten Richtlinie(n), enthält jedoch keine Zuschreibung von Eigenschaften. Die Sicherheits- und Einbauhinweise der mitgelieferten Produktdokumentation sind zu beachten.
This declaration certifies the conformity with the essential requirements of the indicated directive(s), it does not, however, cover any characteristics. The instructions for safety and installation of the enclosed product documentation have to be observed.

Blomberg, 2021-04-28

Christian Ardeleanu
PHOENIX CONTACT E-Mobility GmbH
Product Compliance
Ansprechpartner / contact person ¹

Ralf Döhre
PHOENIX CONTACT E-Mobility GmbH
General Manager
Zuschreibungsverantwortlicher / authorized signatory

¹ Ansprechpartner ist auch für die technische Unterlagen verantwortlich. / Contact person is also responsible for the technical documentation



Anhang zur EU-Konformitätserklärung Nr. 1138965.CE.00
Annex on EU Declaration of Conformity No.
vom / dated 2021-04-28

Bestell-/ Typenschlüssel / Ordering code: CHARX SEC-Cx

(Artikel-Nr. / Article/Part number)

1138965

Die Konformität mit den wesentlichen Anforderungen der Richtlinie(n) wird für Produkte mit dem oben genannten Bestell-/ Typenschlüssel bescheinigt.
The conformity with the essential requirements of the directive(s) is also certified by the declaration for products with the above mentioned ordering code.

CHARX SEC-Cx
(1138965 CHARX SEC-3150)

CHARX: Markenname / Brand name

SEC-: Scalable – Easy to Instal - Communicative

Cx: Schnittstelle zur Datenübertragung / Interface for data transmission
31xx = 4G Modem



LUPALO Poller

| Bestellnummer | Lade- punkte | Leistung/ Ladepunkt [kW/h] | Lade- anschluss | Display | FI | Energie- zähler | Eich- rechts- konform | GSM | SPD | Sicht- farbe |
|----------------------------|-----------------|----------------------------------|--------------------|---------|----|--------------------|-----------------------------|-----|-----|-----------------|
| LUPALO Charge BASIC | | | | | | | | | | |
| 811100 | 1 | 22 | Typ 2 Dose | — | — | — | — | — | — | anthrazit |
| 811101 | 1 | 22 | Typ 2 Dose | — | — | — | — | — | — | silber |
| 811096 | 2 | 11 | Typ 2 Dose | — | — | — | — | — | — | anthrazit |
| 811097 | 2 | 11 | Typ 2 Dose | — | — | — | — | — | — | silber |

| Bestellnummer | Lade- punkte | Leistung/ Ladepunkt [kW/h] | Lade- anschluss | Display | FI | Energie- zähler | Eich- rechts- konform | GSM | SPD | Sicht- farbe |
|----------------------------|-----------------|----------------------------------|--------------------|---------|--------|--------------------|-----------------------------|-----|-----|-----------------|
| LUPALO Charge SMART | | | | | | | | | | |
| 811069 | 1 | 22 | Typ 2 Dose | — | Typ LS | MID | — | — | — | anthrazit |
| 811077 | 1 | 22 | Typ 2 Dose | — | Typ LS | MID | — | — | — | silber |
| 811065 | 2 | 22 | Typ 2 Dose | — | Typ LS | MID | — | — | — | anthrazit |
| 811073 | 2 | 22 | Typ 2 Dose | — | Typ LS | MID | — | — | — | silber |

| Bestellnummer | Lade- punkte | Leistung/ Ladepunkt [kW/h] | Lade- anschluss | Display | FI | Energie- zähler | Eich- rechts- konform | GSM | SPD | Sicht- farbe |
|--------------------------|-----------------|----------------------------------|--------------------|---------|--------|--------------------|-----------------------------|-----|-----|-----------------|
| LUPALO Charge PRO | | | | | | | | | | |
| 811004 | 1 | 22 | Typ 2 Dose | — | Typ LS | ME | — | — | — | anthrazit |
| 811012 | 1 | 22 | Typ 2 Dose | — | Typ LS | ME | — | — | — | silber |
| 811000 | 2 | 22 | Typ 2 Dose | — | Typ LS | ME | — | — | — | anthrazit |
| 811008 | 2 | 22 | Typ 2 Dose | — | Typ LS | ME | — | — | — | silber |
| 811002 | 2 | 22 | Typ 2 Dose | — | Typ LS | ME | — | — | — | anthrazit |
| 811010 | 2 | 22 | Typ 2 Dose | — | Typ LS | ME | — | — | — | silber |

LUPALO Stele

| Bestellnummer | Lade- punkte | Leistung/ Ladepunkt [kW/h] | Lade- anschluss | Display | FI | Energie- zähler | Eich- rechts- konform | GSM | SPD | Sicht- farbe |
|----------------------------|-----------------|----------------------------------|--------------------|---------|----|--------------------|-----------------------------|-----|-----|-----------------|
| LUPALO Charge BASIC | | | | | | | | | | |
| 811212 | 1 | 22 | Typ 2 Dose | — | — | — | — | — | — | anthrazit |
| 811213 | 1 | 22 | Typ 2 Dose | — | — | — | — | — | — | silber |
| 811208 | 2 | 11 | Typ 2 Dose | — | — | — | — | — | — | anthrazit |
| 811209 | 2 | 11 | Typ 2 Dose | — | — | — | — | — | — | silber |

| Bestellnummer | Lade- punkte | Leistung/ Ladepunkt [kW/h] | Lade- anschluss | Display | FI | Energie- zähler | Eich- rechts- konform | GSM | SPD | Sicht- farbe |
|----------------------------|-----------------|----------------------------------|--------------------|---------|--------|--------------------|-----------------------------|-----|-----|-----------------|
| LUPALO Charge SMART | | | | | | | | | | |
| 811180 | 1 | 22 | Typ 2 Dose | — | Typ LS | MID | — | — | — | anthrazit |
| 811188 | 1 | 22 | Typ 2 Dose | — | Typ LS | MID | — | — | — | silber |
| 811176 | 2 | 22 | Typ 2 Dose | — | Typ LS | MID | — | — | — | anthrazit |
| 811184 | 2 | 22 | Typ 2 Dose | — | Typ LS | MID | — | — | — | silber |

| Bestellnummer | Lade- punkte | Leistung/ Ladepunkt [kW/h] | Lade- anschluss | Display | FI | Energie- zähler | Eich- rechts- konform | GSM | SPD | Sicht- farbe |
|--------------------------|-----------------|----------------------------------|--------------------|---------|--------|--------------------|-----------------------------|-----|-----|-----------------|
| LUPALO Charge PRO | | | | | | | | | | |
| 811116 | 1 | 22 | Typ 2 Dose | — | Typ LS | ME | — | — | — | anthrazit |
| 811124 | 1 | 22 | Typ 2 Dose | — | Typ LS | ME | — | — | — | silber |
| 811112 | 2 | 22 | Typ 2 Dose | — | Typ LS | ME | — | — | — | anthrazit |
| 811120 | 2 | 22 | Typ 2 Dose | — | Typ LS | ME | — | — | — | silber |
| 811114 | 2 | 22 | Typ 2 Dose | — | Typ LS | ME | — | — | — | anthrazit |
| 811122 | 2 | 22 | Typ 2 Dose | — | Typ LS | ME | — | — | — | silber |



BOCARO Poller Light & Charge

| Bestellnummer | Lade- punkte | Leistung/ Ladepunkt [kW/h] | Lade- anschluss | Display | FI | Energie- zähler | Eich- rechts- konform | GSM | SPD | Sicht- farbe |
|--|-----------------|----------------------------------|--------------------|---------|----|--------------------|-----------------------------|-----|-----|-----------------|
| BOCARO Light & Charge BASIC | | | | | | | | | | |
| 613164 | 1 | 22 | Typ 2 Dose | — | — | — | — | — | — | anthrazit |
| 613165 | 1 | 22 | Typ 2 Dose | — | — | — | — | — | — | silber |
| 613160 | 2 | 11 | Typ 2 Dose | — | — | — | — | — | — | anthrazit |
| 613161 | 2 | 11 | Typ 2 Dose | — | — | — | — | — | — | silber |

| Bestellnummer | Lade- punkte | Leistung/ Ladepunkt [kW/h] | Lade- anschluss | Display | FI | Energie- zähler | Eich- rechts- konform | GSM | SPD | Sicht- farbe |
|--|-----------------|----------------------------------|--------------------|---------|--------|--------------------|-----------------------------|-----|-----|-----------------|
| BOCARO Light & Charge SMART | | | | | | | | | | |
| 613069 | 1 | 22 | Typ 2 Dose | — | Typ LS | MID | — | — | — | anthrazit |
| 613077 | 1 | 22 | Typ 2 Dose | — | Typ LS | MID | — | — | — | silber |
| 613065 | 2 | 22 | Typ 2 Dose | — | Typ LS | MID | — | — | — | anthrazit |
| 613073 | 2 | 22 | Typ 2 Dose | — | Typ LS | MID | — | — | — | silber |

| Bestellnummer | Lade- punkte | Leistung/ Ladepunkt [kW/h] | Lade- anschluss | Display | FI | Energie- zähler | Eich- rechts- konform | GSM | SPD | Sicht- farbe |
|--------------------------------------|-----------------|----------------------------------|--------------------|---------|--------|--------------------|-----------------------------|-----|-----|-----------------|
| BOCARO Light & Charge PRO | | | | | | | | | | |
| 613004 | 1 | 22 | Typ 2 Dose | — | Typ LS | ME | — | — | — | anthrazit |
| 613012 | 1 | 22 | Typ 2 Dose | — | Typ LS | ME | — | — | — | silber |
| 613000 | 2 | 22 | Typ 2 Dose | — | Typ LS | ME | — | — | — | anthrazit |
| 613008 | 2 | 22 | Typ 2 Dose | — | Typ LS | ME | — | — | — | silber |
| 613002 | 2 | 22 | Typ 2 Dose | — | Typ LS | ME | — | — | — | anthrazit |
| 613010 | 2 | 22 | Typ 2 Dose | — | Typ LS | ME | — | — | — | silber |

BOCARO Poller Charge

| Bestellnummer | Lade- punkte | Leistung/ Ladepunkt [kW/h] | Lade- anschluss | Display | FI | Energie- zähler | Eich- rechts- konform | GSM | SPD | Sicht- farbe |
|---------------|-----------------|----------------------------------|--------------------|---------|----|--------------------|-----------------------------|-----|-----|-----------------|
| BOCARO | | | | | | | | | | |
| 811324 | 1 | 22 | Typ 2 Dose | — | — | — | — | — | — | anthrazit |
| 811325 | 1 | 22 | Typ 2 Dose | — | — | — | — | — | — | silber |
| 811320 | 2 | 11 | Typ 2 Dose | — | — | — | — | — | — | anthrazit |
| 811321 | 2 | 11 | Typ 2 Dose | — | — | — | — | — | — | silber |

| Bestellnummer | Lade- punkte | Leistung/ Ladepunkt [kW/h] | Lade- anschluss | Display | FI | Energie- zähler | Eich- rechts- konform | GSM | SPD | Sicht- farbe |
|----------------------------|-----------------|----------------------------------|--------------------|---------|--------|--------------------|-----------------------------|-----|-----|-----------------|
| BOCARO Charge SMART | | | | | | | | | | |
| 811292 | 1 | 22 | Typ 2 Dose | — | Typ LS | MID | — | — | — | anthrazit |
| 811300 | 1 | 22 | Typ 2 Dose | — | Typ LS | MID | — | — | — | silber |
| 811288 | 2 | 22 | Typ 2 Dose | — | Typ LS | MID | — | — | — | anthrazit |
| 811296 | 2 | 22 | Typ 2 Dose | — | Typ LS | MID | — | — | — | silber |

| Bestellnummer | Lade- punkte | Leistung/ Ladepunkt [kW/h] | Lade- anschluss | Display | FI | Energie- zähler | Eich- rechts- konform | GSM | SPD | Sicht- farbe |
|--------------------------|-----------------|----------------------------------|--------------------|---------|--------|--------------------|-----------------------------|-----|-----|-----------------|
| BOCARO Charge PRO | | | | | | | | | | |
| 811228 | 1 | 22 | Typ 2 Dose | — | Typ LS | ME | — | — | — | anthrazit |
| 811236 | 1 | 22 | Typ 2 Dose | — | Typ LS | ME | — | — | — | silber |
| 811224 | 2 | 22 | Typ 2 Dose | — | Typ LS | ME | — | — | — | anthrazit |
| 811232 | 2 | 22 | Typ 2 Dose | — | Typ LS | ME | — | — | — | silber |
| 811226 | 2 | 22 | Typ 2 Dose | — | Typ LS | ME | — | — | — | anthrazit |
| 811234 | 2 | 22 | Typ 2 Dose | — | Typ LS | ME | — | — | — | silber |

**BOCARO Stele**

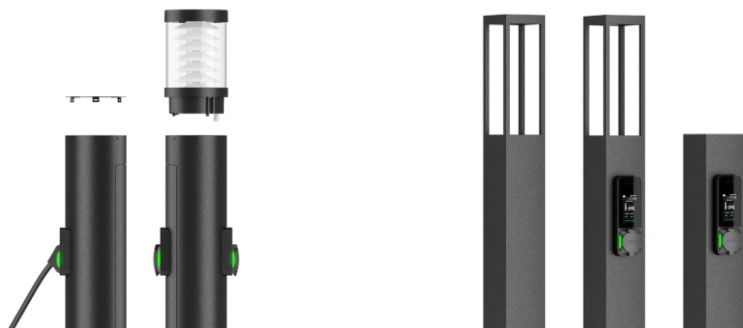
| Bestellnummer | Lade- punkte | Leistung/ Ladepunkt [kW/h] | Lade- anschluss | Display | FI | Energie- zähler | Eich- rechts- konform | GSM | SPD | Sicht- farbe |
|----------------------------|-----------------|----------------------------------|--------------------|---------|----|--------------------|-----------------------------|-----|-----|-----------------|
| BOCARO Charge BASIC | | | | | | | | | | |
| 811436 | 1 | 22 | Typ 2 Dose | — | — | — | — | — | — | anthrazit |
| 811437 | 1 | 22 | Typ 2 Dose | — | — | — | — | — | — | silber |
| 811432 | 2 | 11 | Typ 2 Dose | — | — | — | — | — | — | anthrazit |
| 811433 | 2 | 11 | Typ 2 Dose | — | — | — | — | — | — | silber |

| Bestellnummer | Lade- punkte | Leistung/ Ladepunkt [kW/h] | Lade- anschluss | Display | FI | Energie- zähler | Eich- rechts- konform | GSM | SPD | Sicht- farbe |
|----------------------------|-----------------|----------------------------------|--------------------|---------|--------|--------------------|-----------------------------|-----|-----|-----------------|
| BOCARO Charge SMART | | | | | | | | | | |
| 811404 | 1 | 22 | Typ 2 Dose | — | Typ LS | MID | — | — | — | anthrazit |
| 811412 | 1 | 22 | Typ 2 Dose | — | Typ LS | MID | — | — | — | silber |
| 811400 | 2 | 22 | Typ 2 Dose | — | Typ LS | MID | — | — | — | anthrazit |
| 811408 | 2 | 22 | Typ 2 Dose | — | Typ LS | MID | — | — | — | silber |

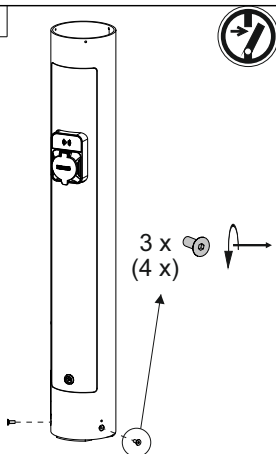
| Bestellnummer | Lade- punkte | Leistung/ Ladepunkt [kW/h] | Lade- anschluss | Display | FI | Energie- zähler | Eich- rechts- konform | GSM | SPD | Sicht- farbe |
|--------------------------|-----------------|----------------------------------|--------------------|---------|--------|--------------------|-----------------------------|-----|-----|-----------------|
| BOCARO Charge PRO | | | | | | | | | | |
| 811340 | 1 | 22 | Typ 2 Dose | — | Typ LS | ME | — | — | — | anthrazit |
| 811348 | 1 | 22 | Typ 2 Dose | — | Typ LS | ME | — | — | — | silber |
| 811336 | 2 | 22 | Typ 2 Dose | — | Typ LS | ME | — | — | — | anthrazit |
| 811344 | 2 | 22 | Typ 2 Dose | — | Typ LS | ME | — | — | — | silber |
| 811338 | 2 | 22 | Typ 2 Dose | — | Typ LS | ME | — | — | — | anthrazit |
| 811346 | 2 | 22 | Typ 2 Dose | — | Typ LS | ME | — | — | — | silber |



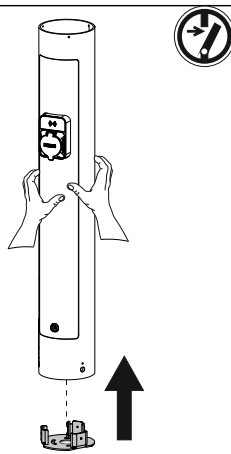
1



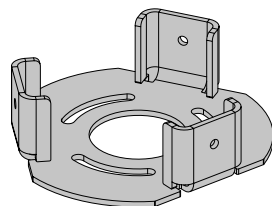
2



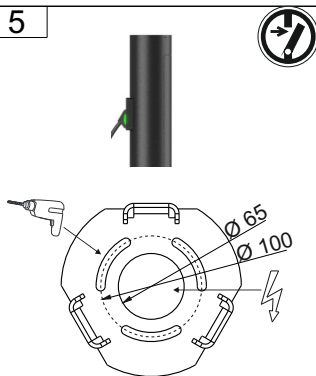
3



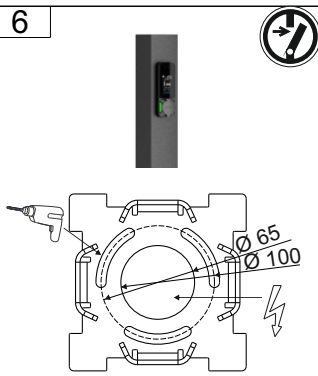
4



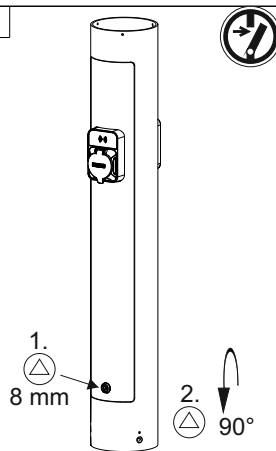
5

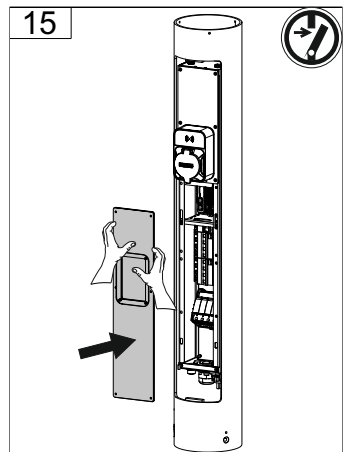
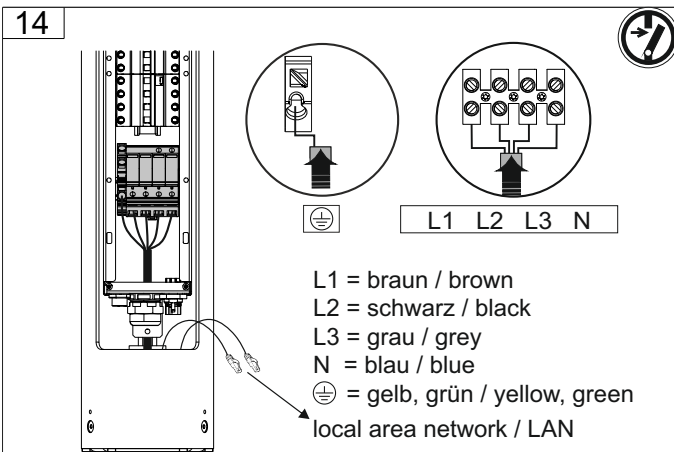
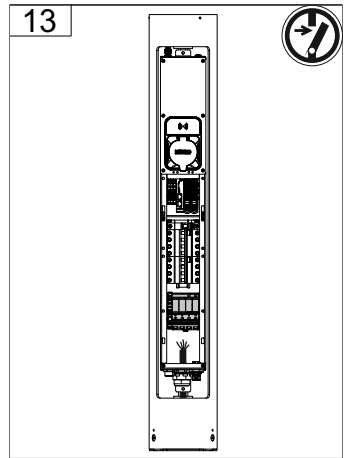
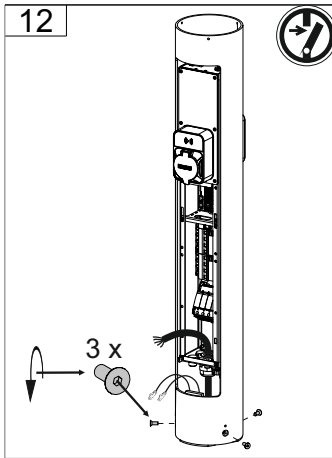
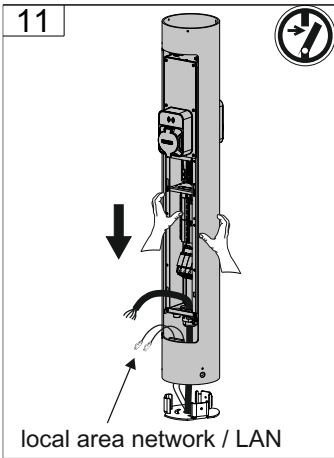
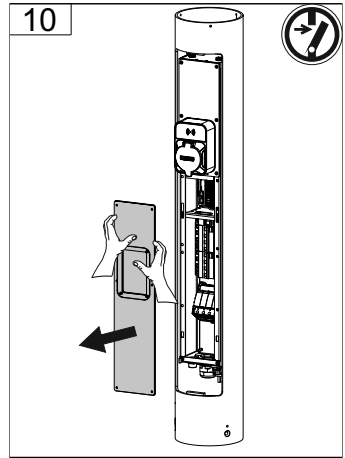
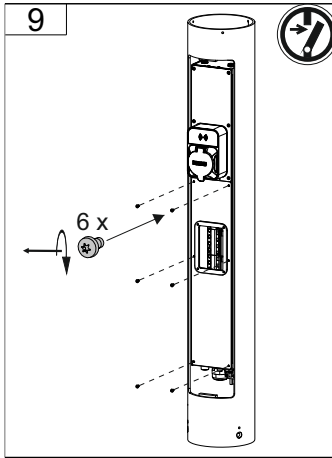
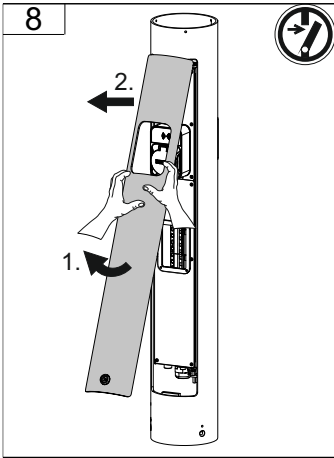


6



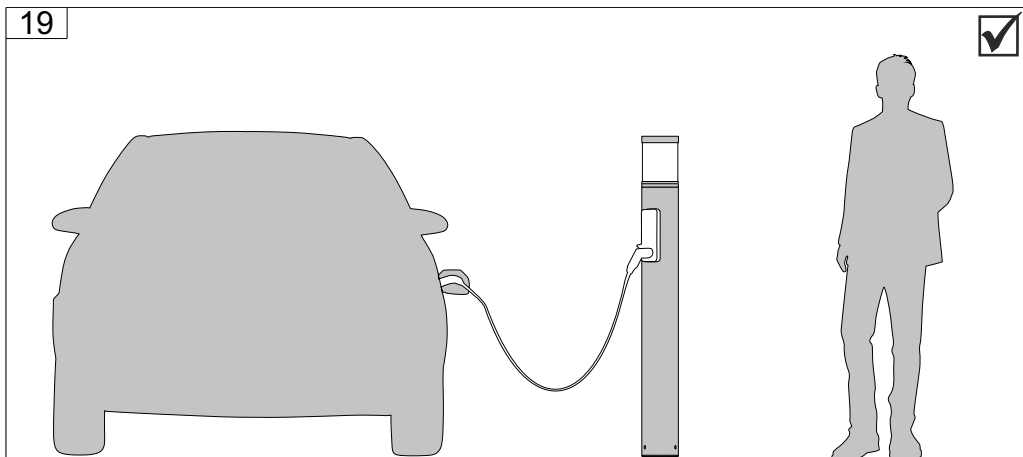
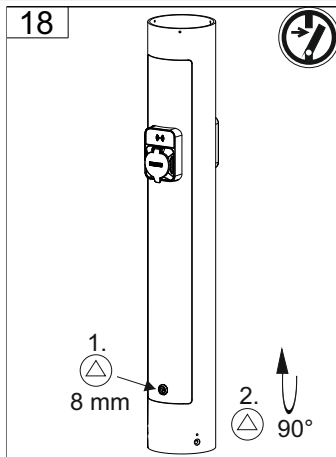
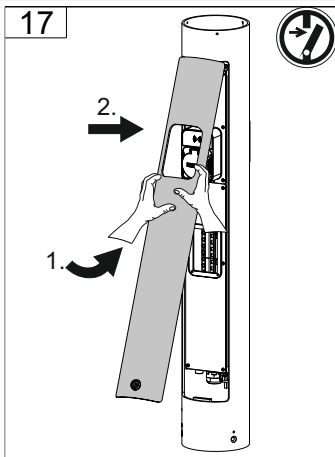
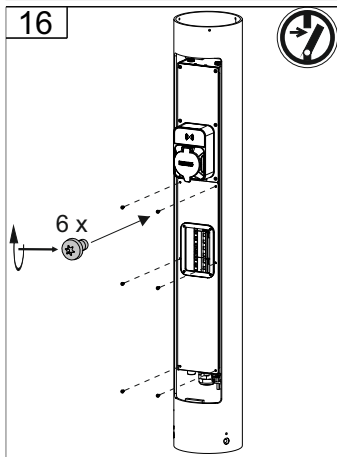
7

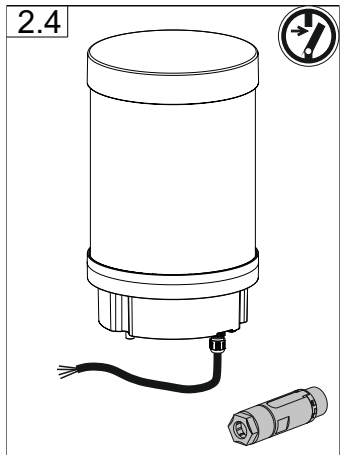
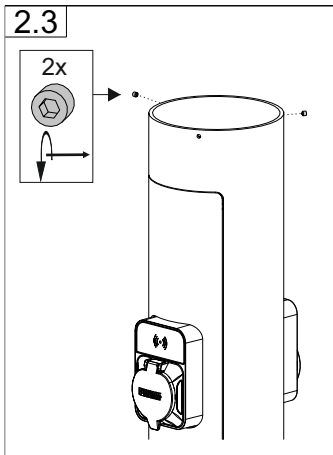
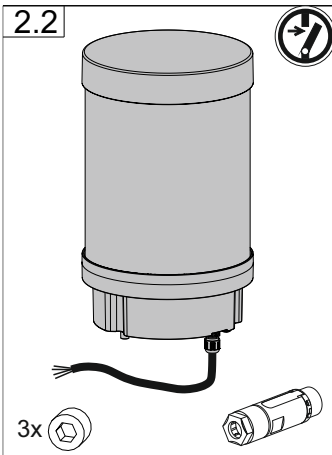
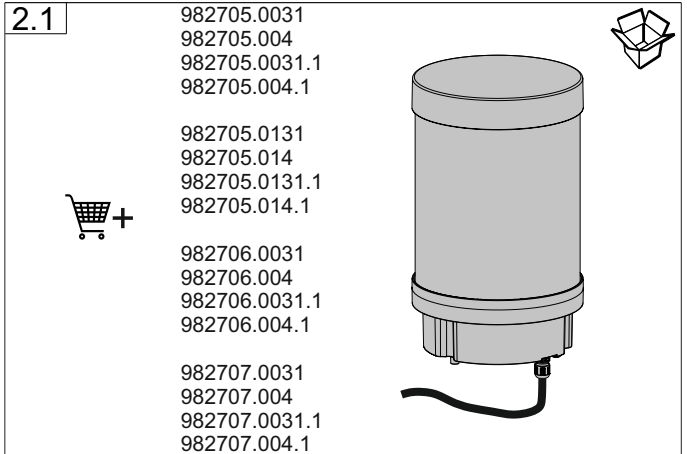
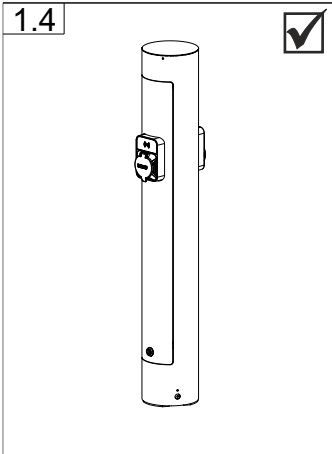
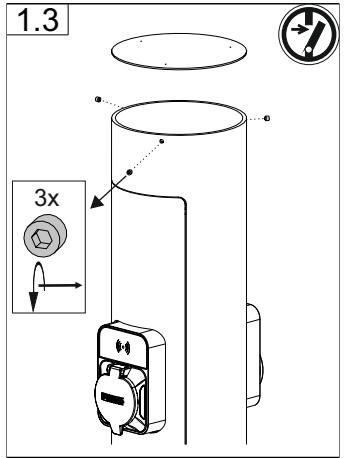
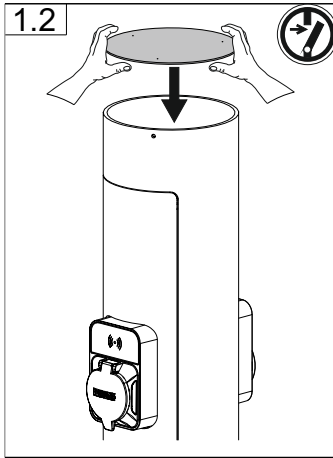
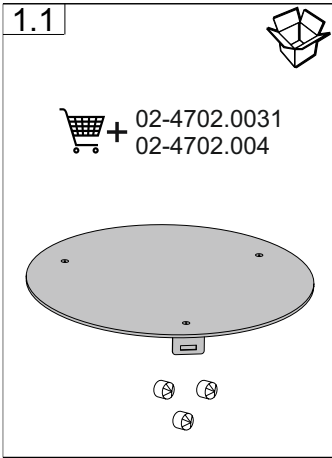




INSTRUCTION

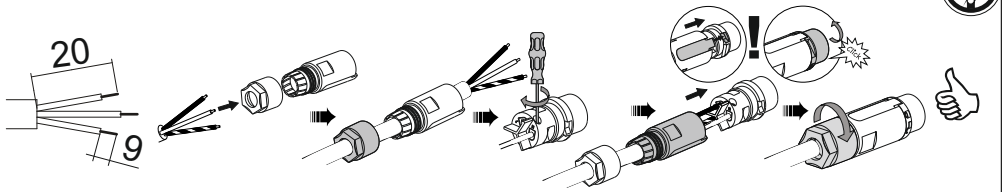
RZB Energy



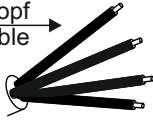




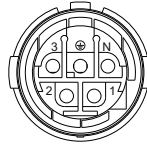
2.5



Leitung Leuchtenkopf
Luminaire head cable

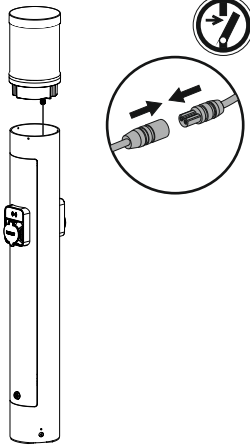


1 = 3
2 = N
3 = 1
4 = 2

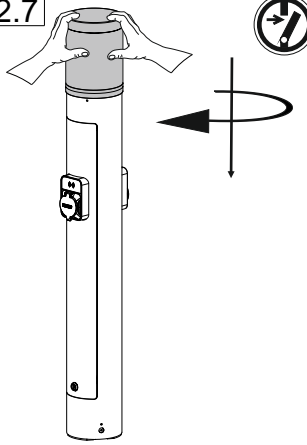


Anschluss Ladesäule
Connection charging station

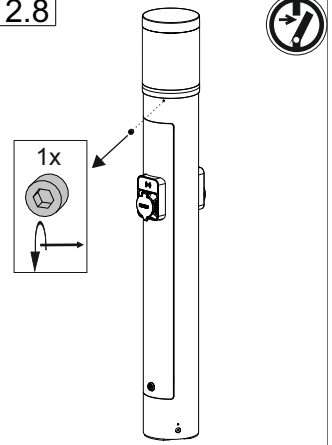
2.6



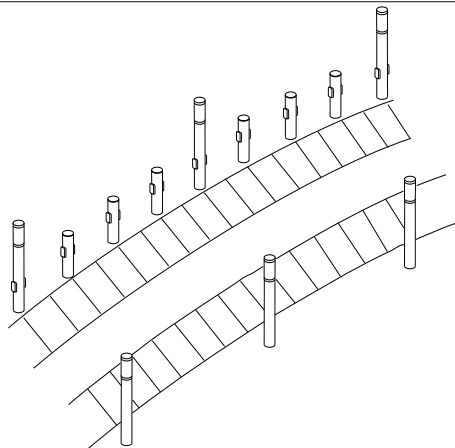
2.7



2.8



2.9

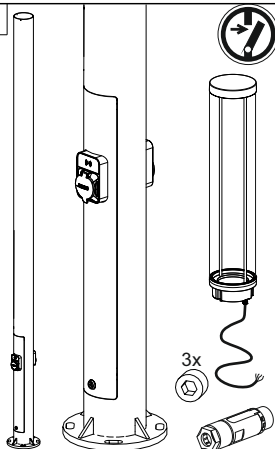




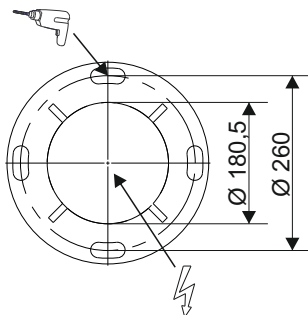
1



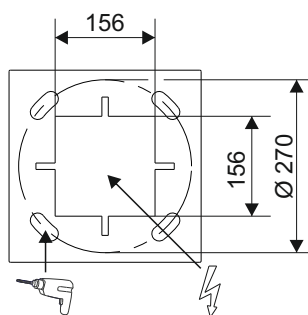
2



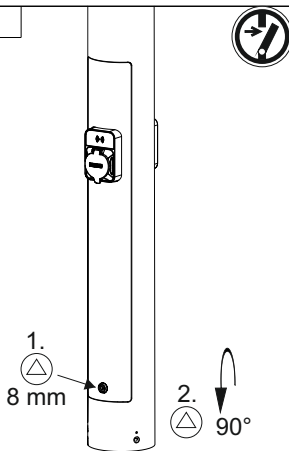
3



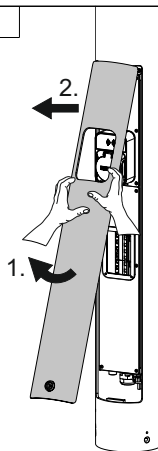
4



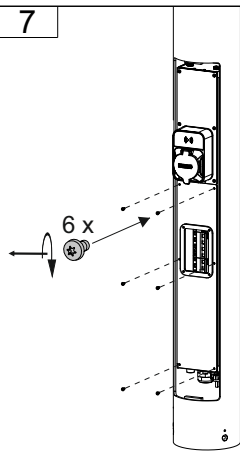
5

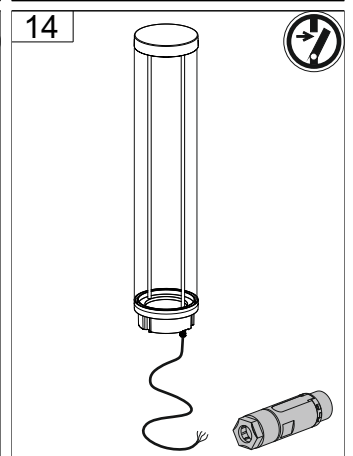
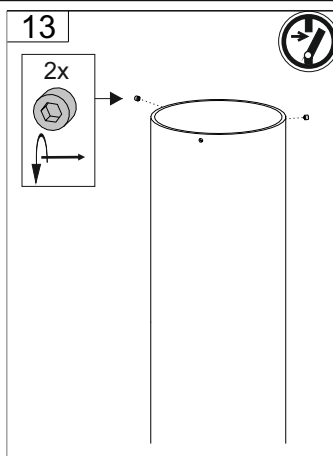
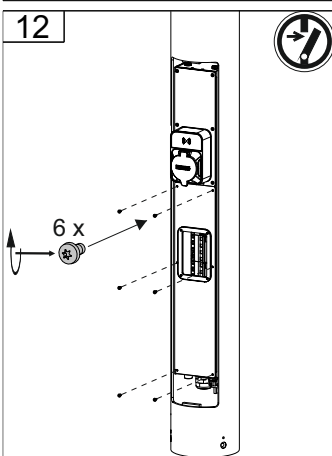
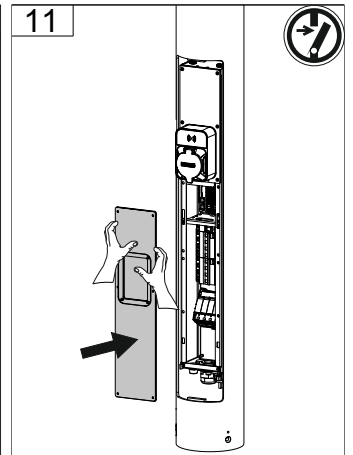
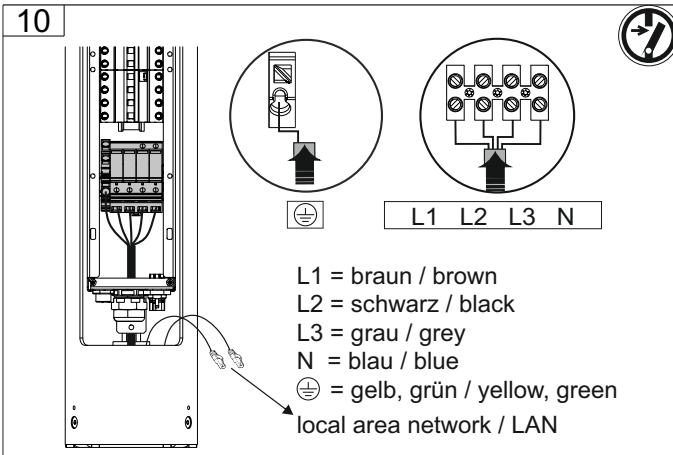
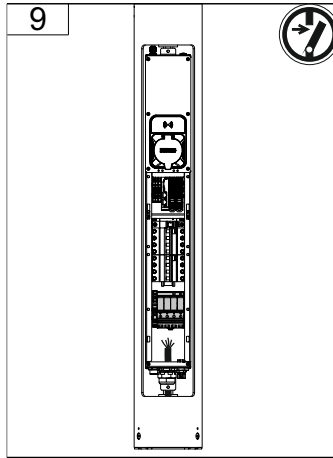
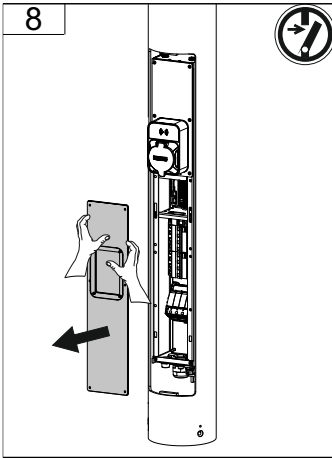


6



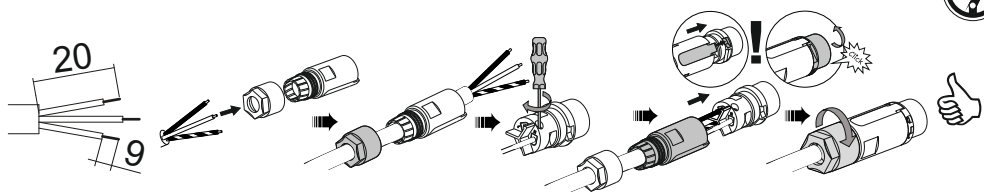
7



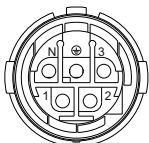




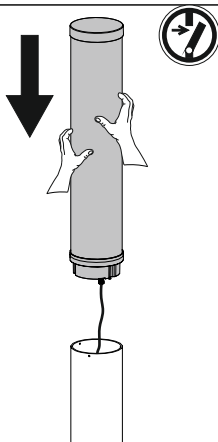
15



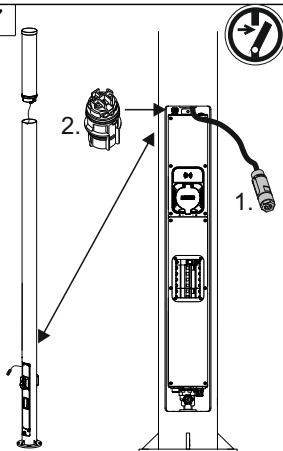
1 = L
2 = N
3 = DA
4 = DA



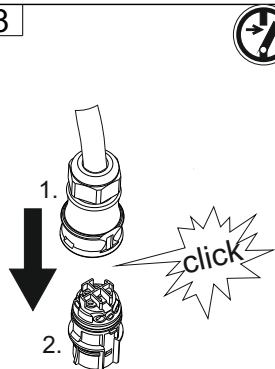
16



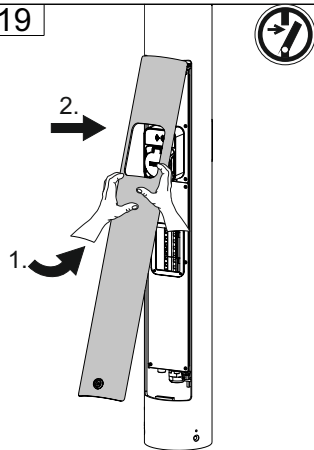
17



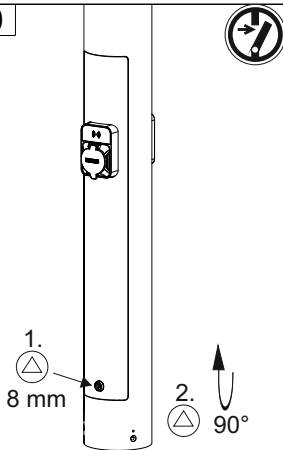
18



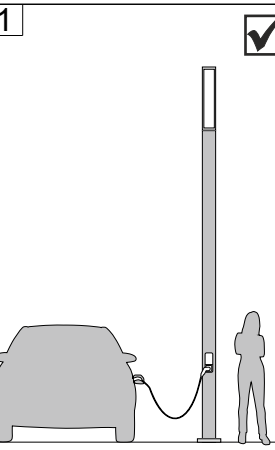
19



20





21







RZB - Rudolf Zimmermann, Bamberg GmbH

 Rheinstraße 16, 96052 Bamberg

 0951/7909-0

 0951/7909-198

 info@rzb-leuchten.de